



INCISO

Mixer Taps

Code: R424 A00

MITIGEUR INCISO



DETAILS

Mixer type Single lever faucet with rotating barrel and flexible head.

Material Stainless steel AISI 316

Texture Brushed in line

Rotating angle 360°

Strengthening plate ø50 mm

Cartridge With ceramic discs

Mixer hole ø35 mm

Aesthetics parts AISI 316 steel aesthetic parts

Max worktop thickness 40mm

FEATURES

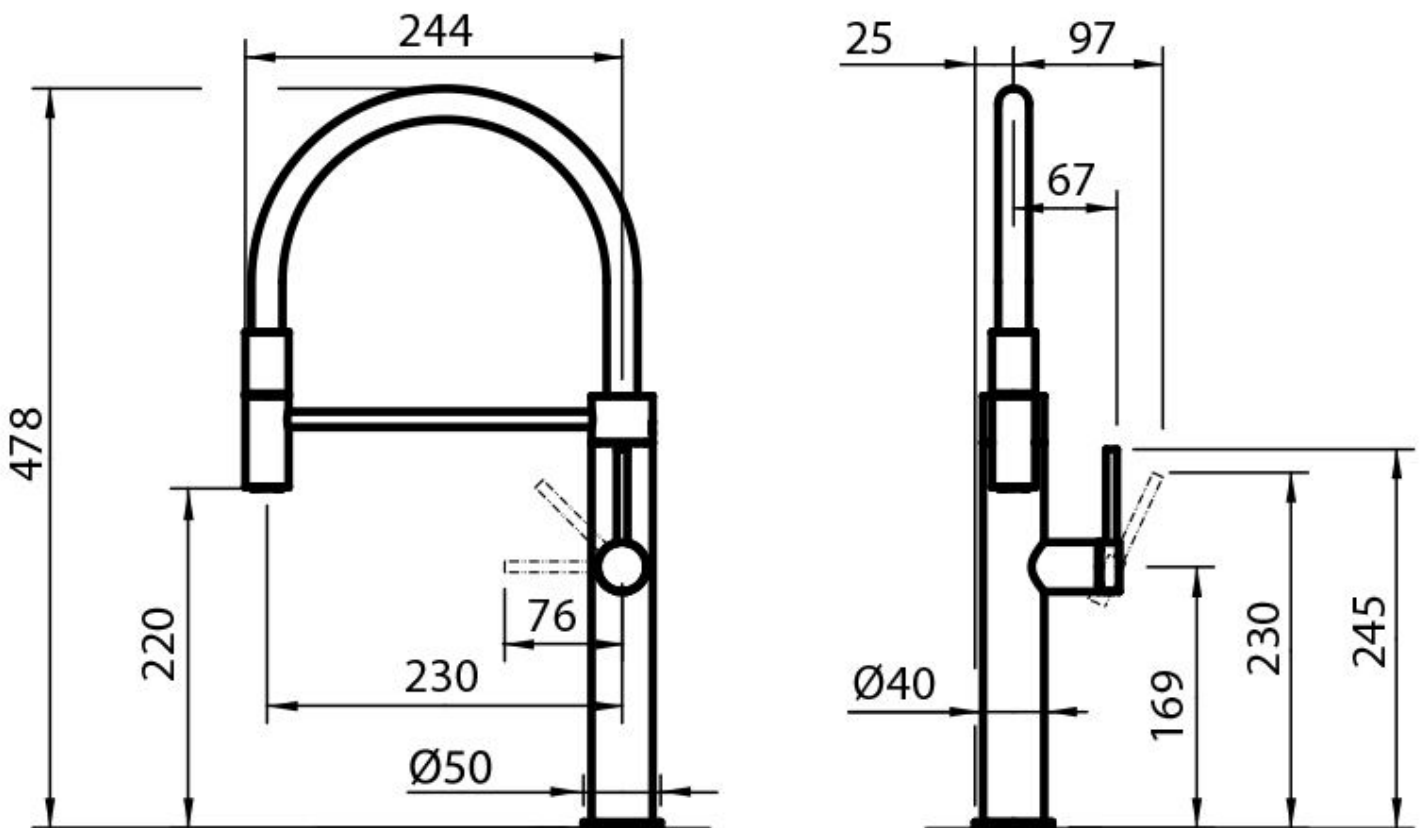
Rotating angle

All the taps have a wide angle of rotation. Some models even permit a full 360° rotation.

Strengthening plate

Foster's mixer taps are equipped with the strengthening plate that offers perfect stability on any sink.

TECHNICAL DATA



GALLERY

